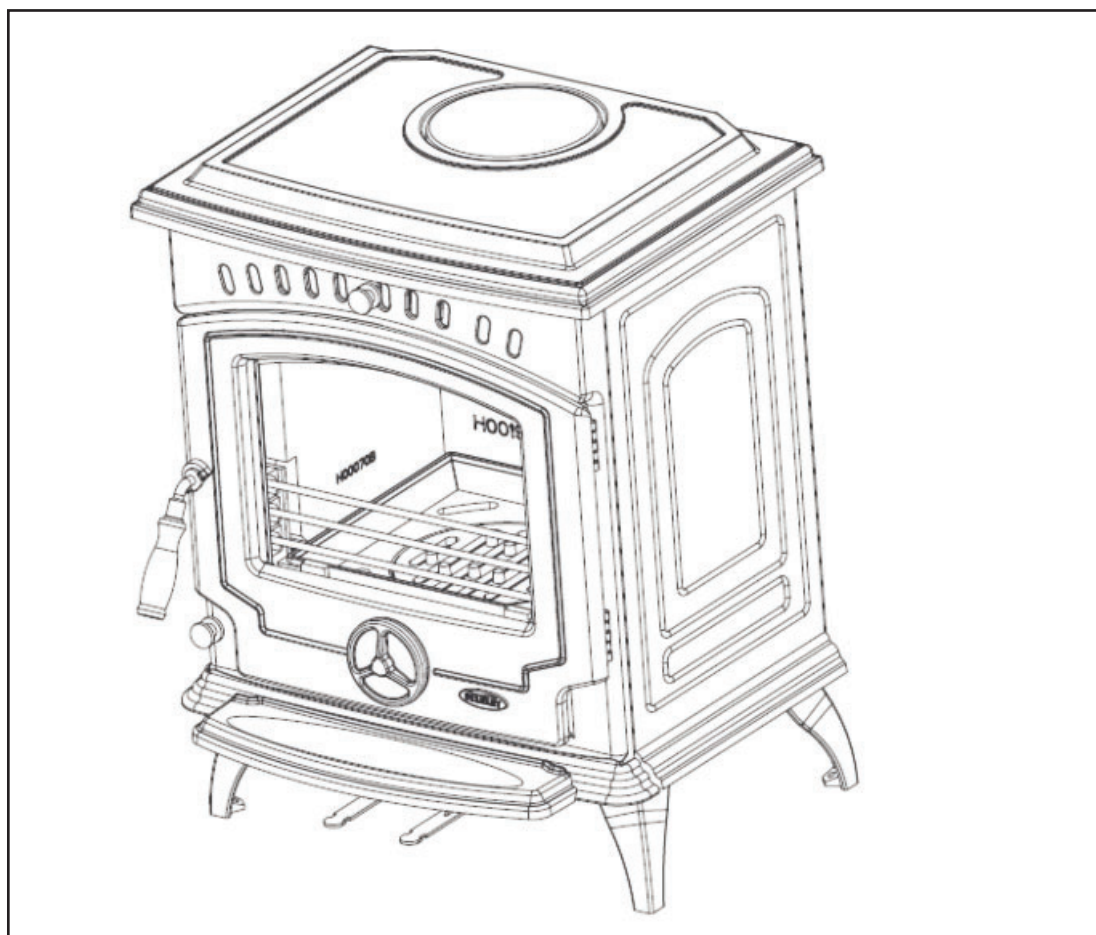




# Tara Non Boiler Eco

## Solid Fuel Stove



**WARNING:** This appliance is hot while in operation and retains its heat for a long period of time after use. children, aged or infirm persons should be supervised at all times and should not be allowed to touch the hot working surfaces while in use or until the appliance has thoroughly cooled.

*When using the boiler stove in situations where children, aged and/or infirm persons are present a fire-guard must be used to prevent accidental contact with the stove. The fireguard should be manufactured in accordance with BS 8423:2002.*

## **INSTALLATION AND OPERATING INSTRUCTIONS**

---

---

## TABLE OF CONTENTS

	<b>PAGE NO.</b>
1. Warranty . . . . .	4
2. Installation check list . . . . .	5
3. General . . . . .	6
Handling . . . . .	6
Fire Cement . . . . .	6
Asbestos . . . . .	6
Metal Parts . . . . .	6
4. Pre-Installation Assembly . . . . .	6
5. Chimney . . . . .	6
6. Flues . . . . .	7
7. Flue Pipes . . . . .	7
8. Top Flue Exit . . . . .	8
9. Rear Flue Exit . . . . .	8
10. Ventilation & Combustion Air Requirements . . . . .	8
11. Permanent Air Vent . . . . .	9
Extractor Fan . . . . .	9
12. Location . . . . .	9
13. Installation Clearances . . . . .	9
14. Floor Protection . . . . .	9
15. Specification Non boiler model . . . . .	10
16. Technical Data . . . . .	10
17. Handover . . . . .	11
18. Operating Instructions . . . . .	11
19. Suitable Fuels . . . . .	11
20. Lighting . . . . .	12
21. Important Notes . . . . .	13
22. Air Control Settings . . . . .	14
23. Air Controls . . . . .	14
24. Recommended Fuels . . . . .	14
25. Overnight Burning . . . . .	15
26. Re-fuelling . . . . .	15
27. De-Ashing . . . . .	16
28. Disposal of Ashes . . . . .	15
28. Chimney Cleaning . . . . .	16
29. To Clean Chimney Outlet (Boiler / Non Boiler Model ) . . . . .	16
30. To Replace Fire Grate . . . . .	16
31. CO Alarm . . . . .	16
32. Fire Safety . . . . .	17

---

## TABLE OF CONTENTS

PAGE NO.

33. Vitreous Enamel Cleaning .....	17
34. Glass Cleaning .....	17
35. Glass Replacement .....	17
36. Exploded view .....	18
37. Trouble Shooting .....	19





## STANLEY SOLID FUEL STOVE WARRANTY

### CONDITIONS OF WARRANTY

Your Stanley Solid Fuel Stove is guaranteed against any part that fails (under normal operating conditions) as detailed in the following table with timelines specified from the date of installation of the appliance. If the unit is not installed within six months of date of purchase, the warranty will commence six months from the date of purchase.

Warranty Period	Parts Covered (Parts & Labour unless Stated)
Up to 1 Year	<ul style="list-style-type: none"> <li>• Refractory materials (supply only)</li> <li>• Rope seals, glass seals and cement seals.</li> <li>• Surface Finish on Seno models.</li> <li>• Grates and fire bars.</li> <li>• Ceramic glass is covered for Thermal breakage (supply only).</li> <li>• Rust (if reported before installation)</li> <li>• Aesthetic Damage (provided reported on date of receipt)</li> </ul>
Up to 5 Years	<ul style="list-style-type: none"> <li>• All external castings &amp; enamel finishes (excluding impact damage or damage caused by overfiring). Pictures of damage must be submitted to WS Service Department.</li> </ul>
Up to 3 Years	<ul style="list-style-type: none"> <li>• Boiler - A Leaking Boiler Report must be conducted by an Authorised Stanley Service Engineer and submitted to WS Service Department for review.</li> </ul>

All warranty claims must be reported to the Waterford Stanley Service Department and must be submitted with the product serial number (located on the front casting), date of purchase, proof of purchase (if requested) and details of the specific nature of the problem.

The warranty is given only to the original consumer/purchaser only and is non-transferable. The appliance must be installed by a suitable qualified person and installed as per the requirements of the manual. Failure to comply with the Installation requirements or Building Regulations will void your warranty. Waterford Stanley reserve the right to replace any part due to manufacturing defect that fails within the warranty period under the terms of the warranty. The unit must be used for normal domestic purposes only and in accordance with manufacturer's operation instructions.

### LIMITS OF LIABILITY

The warranty does not cover:

- \* Special, incidental or consequential damages, injury to persons or Property, or any other consequential loss.
- \* Any issue caused by negligence, misuse, abuse or circumstances beyond Waterford Stanley's control.
- \* Any issue with wear and tear, modification, alteration, or servicing by anyone other than an authorized service engineer.
- \* Installation and operational related problems such as draught related issues external to the stove, inadequate venting or ventilation, excessive flue offsets, negative air pressure caused by insufficient burning of improper fuel.
- \* Damage caused to the unit while in transit.
- \* Enamel discolouration due to over firing, enamel damage caused by impact, damage to baffles caused by over firing and fading of surface finish on casting.
- \* Stress fractures on bricks.
- \* Rust on cast iron parts unless reported prior to unit being installed.
- \* Aesthetic damage, rust & missing parts on units purchased off display.

**Note:** Adequate clearance must be maintained around the appliance to ensure the ease of part removal in the possible event of their damage/failure. Waterford Stanley are not responsible for any costs incurred in the removal of items installed in the vicinity of the appliance that have to be moved to facilitate a part replacement.

## INSTALLATION CHECK LIST

### *Flue System*

Tick

1. Minimum Flue Height of 4.5 metres (15 feet).
2. Appliance should be connected to a minimum of 1.8 metres (6 feet) of 150mm (6") flue pipe with a horizontal run not exceeding 150mm (6").
3. Appliance should be connected to a chimney of less than 200mm (8") in diameter (otherwise the chimney must be lined with a 6" flue liner).
4. The chimney venting position must be above the main ridge of the roof or adjacent outside obstructions.
5. The chimney serving this appliance should not serve any other appliance.
6. Access should be provided to the chimney serving the appliance to allow for cleaning.

### *Location*

7. Clearance to combustible materials must be adhered to as described in the Clearance to Combustible section.
8. The stove must be installed on a floor protector that covers the area under the stove and extends 18" to the front & 8" to the sides and back.

### *Plumbing*

9. Appliance must be connected to a gravity circuit using 1" ID flow & return piping.
10. The length of pipes from the cylinder to the cooker should not exceed 7.8 metres (25<sup>1</sup>/<sub>2</sub> feet).
11. A circulation pump should be fitted to the return pipe of the radiator circuit and controlled by a pipe stat fitted to the flow pipe of the gravity circuit to the cylinder. (Not applicable to DHW Model).

### *Ventilation & Combustion Air Requirements*

12. The room in which the appliance is located should have an air vent of adequate size to support correct combustion (see Ventilation & Combustion Air Requirement Section for specific details).

## TARA SOLID FUEL CENTRAL HEATING STOVE INSTALLATION & OPERATING INSTRUCTIONS

### GENERAL

When installing, operating and maintaining your Tara Stove respect basic standards of fire safety. Read these instructions carefully before commencing the installation. Failure to do so may result in damage to persons and property. Consult your local Municipal office and your insurance representative to determine what regulations are in force. Save these instructions for future reference.

Please note that it is a legal requirement under England & Wales Building Regulations that the installation of the stove is either carried out under Local Authority Building Control approval or is installed by a Competent Person registered with a Government approved Competent Persons Scheme. HETAS Ltd operate such a scheme and a listing of their Registered Competent Persons can be found on their website at [www.hetas.co.uk](http://www.hetas.co.uk).

Special care must be taken when installing the stove such that the requirements of the Health & Safety at Work Act are met.

#### **Handling**

Adequate facilities must be available for loading, unloading and site handling.

#### **Fire Cement**

Some types of fire cement are caustic and should not be allowed to come into contact with the skin. In case of contact with the skin wash immediately with plenty of water.

#### **Asbestos**

This stove contains no asbestos. If there is a possibility of disturbing any asbestos in the course of installation then please seek specialist guidance and use appropriate protective equipment.

#### **Metal Parts**

When installing or servicing this stove care should be taken to avoid the possibility of personal injury.

### “IMPORTANT WARNING”

This stove must not be installed into a chimney that serves any other heating appliance.

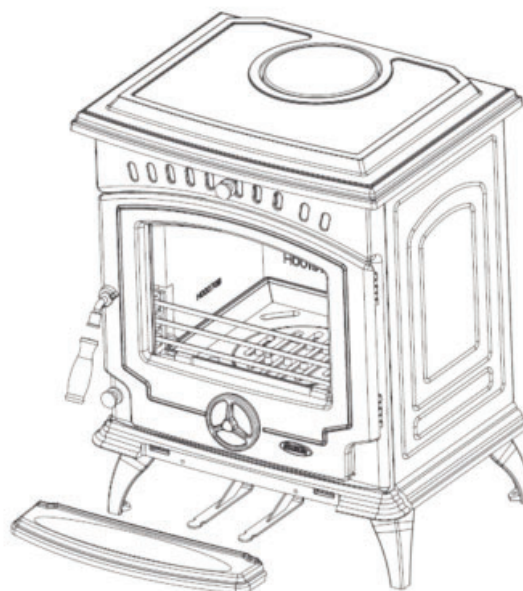
There must not be an extractor fan fitted in the same room as the stove as this can cause the stove to emit fumes into the room.

The complete installation must be done in accordance with current Standards and Local Codes. It should be noted that the requirements and these publications may be superseded during the life of this manual.

### PRE INSTALLATION ASSEMBLY

1. After removing the stove from its pack, open the front door and remove the contents.
2. Fit the front door handle using the M8 screw, as shown in Fig.1.
3. Remove the stove from the wooden pallet.
4. Fit the front ash tray by slotting into place on the front and secure it using the screws provided.

Fig.1



### CHIMNEY

**Do not connect to a chimney serving another appliance.**

The stove is a radiant room heater and must be connected to a chimney of the proper size and type. The chimney must have a cross-sectional area of at least 30 square inches 18150sq. mm or a diameter of at least 6” (150mm). It is best to connect to a chimney of the same size, as connection to a larger size may result in a somewhat less draught. Do not connect to a chimney serving another appliance.

Minimum chimney height 15'(4.1 meters) from floor on which stove is installed. An existing masonry chimney should be inspected and if necessary repaired by a competent mason. The stove must be connected to a chimney with a minimum continuous draft of .06 wg. Poor draft conditions will result in poor performance.

In adverse weather conditions, down drafts may be experienced causing smoke or fumes to spill into the room. If this occurs shut the appliance down by closing the air controls. If the problem persists seek the advice of a chimney sweep.

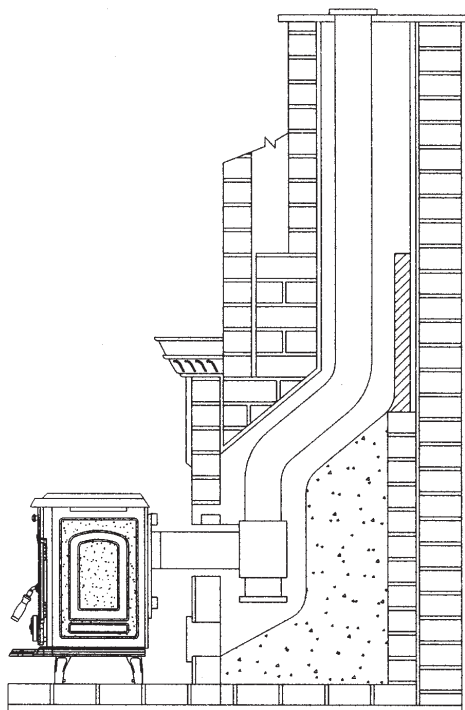


Fig 2

## FLUES

Flues should be vertical wherever possible and where a bend is necessary, it should not make an angle of more than 45° with the vertical. Horizontal flue runs should be avoided except in the case of a back outlet appliance, when the length of the horizontal section should not exceed 150mm.

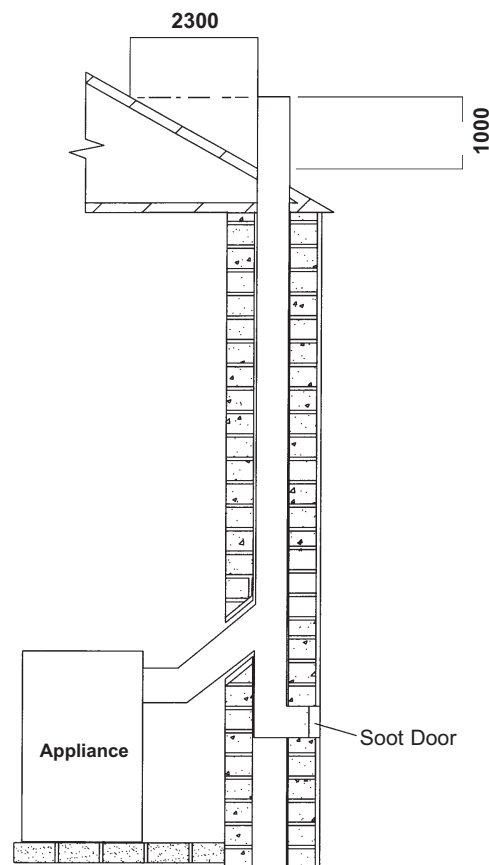
In order to minimise flue resistance and to make sweeping easier it is recommended to use 2 x 45° bends rather than a 90° bend.

The flue termination point must be located to minimise any wind effects. Wind effects of suction, pressure zones and turbulence can be created by the roof and adjacent objects. Wind effects can also be created by natural land contours.

To minimise the wind effects, the flue termination point should be located a minimum of 1000mm from the roof measured vertically and 2300mm measured horizontally. Where this termination point does not

suffice it may be necessary to extend the flue pipe so that the termination point is above the apex. (See Fig.3)

Fig 3



## FLUE PIPES

A flue pipe should only be used to connect an appliance to a chimney and should not pass through any roof space.

Flue pipes may be of any of the following materials:

- Cast iron as described in BS 41: 1973 (1981), or
- Stainless steel with a wall thickness of at least 1mm and as described in BS EN 10095:1999 Specification for stainless and heat resisting steel plate, sheet and strip, for Grade 316 S11, 316 S13, 316 S16, 316 S31, 316 S33, or the equivalent Euronorm 88-71 designation, or
- Vitreous enamelled steel complying with BS 6999: 1989.



Flue pipes with spigot and socket joints should be fitted with the socket uppermost.

Clearance to combustibles must be adhered to when fitting the flue pipe.

The appliance is suitable for continuous operation on solid mineral fuel and intermittent operation on wood logs.

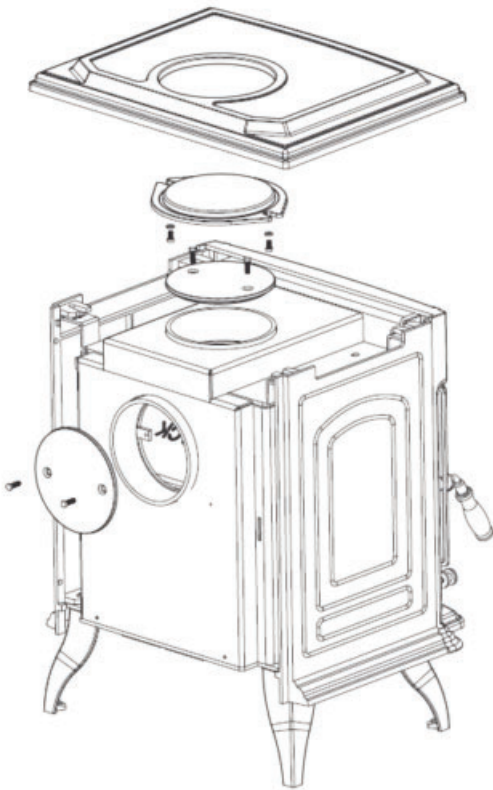
## TOP FLUE EXIT

For top outlet configuration remove the hob from the top of the stove, turn the hob upside down and place it on the floor, taking care not to damage it. Remove the hob blanking plate by unscrewing the two screws from underneath the hob.

Next remove the flue blanking plate from the top of the stove by unscrewing the two screws, connect this blanking plate to the rear flue outlet at the back of the stove. Replace the hob in the correct position.

Connect the connector pipe (not supplied) into the top flue outlet socket at the top of the stove and cement into place using approved fire cement ensuring that no cement blocks the flue passageway.

Fig 4

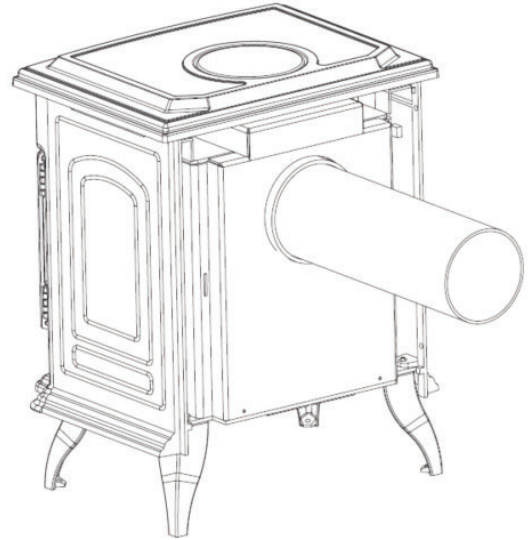


## REAR FLUE EXIT

For rear flue outlet configuration push in flue connector pipe (not supplied) into flue outlet socket at the rear of the stove and cement into place using approved fire cement ensuring that no cement blocks the flue passageway.

It is recommended that a minimum clearance of 100mm be maintained from the sides and rear of the appliance to a tiled fireplace or masonry wall, especially on the right of the appliance as access is required for the controls.

Fig. 5



## VENTILATION & COMBUSTION AIR REQUIREMENTS

It is imperative that there is sufficient air supply to the stove in order to support correct combustion.

The air supply to this appliance must comply with B.S. 8303: Part 1.

The minimum effective air requirement for this appliance is  $21\text{cm}^2$  ( $3.25\text{in}^2$ ). When calculating combustion air requirement for this appliance use the following equation: a total free area of at least  $550\text{mm}^2$  per kW of rated output above 5kW shall be provided.

If there is another air using appliance fitted in the same or adjacent room, it will be necessary to calculate additional air supply.

All materials used in the manufacture of air vents should be such that the vent is dimensionally stable and corrosion resistant.

The effective free area of any vent should be ascertained before installation. The effect of any screen should be allowed for when determining the effective free area of any vent.

Air vents direct to the outside of the building should be located so that any air current produced will not pass through normally occupied areas of the room.

An air vent outside the building should not be located less than the dimensions specified within the Building Regulations from any part of any flue terminal. These air vents must also be fire proofed as per Building Regulations.

Air vents in internal walls should not communicate with bedsits, toilets, bathrooms or rooms containing a shower.

Air vents traversing cavity walls should include a continuous duct across the cavity. The duct should be installed in such a manner as not to impair the weather resistance of the cavity.



Joints between air vents and outside walls should be sealed to prevent the ingress of moisture. Existing air vents should be of the correct size and unobstructed for the appliance in use.

Where such an installation exists, a test for spillage should be made with the fan or fans and other appliances using air in operation at full rate, (i.e. extraction fans, tumble dryers) with all external doors and windows closed.

If spillage occurs following the above operation, an additional air vent of sufficient size to prevent this occurrence should be installed.

### PERMANENT AIR VENT

The stove requires a permanent and adequate air supply in order for it to operate safely and efficiently. In accordance with current Building Regulations the installer will have fitted a permanent air supply vent into the room in which the stove is installed to provide combustion air. This air vent should not under any circumstances be shut off or sealed.

### Extractor Fan

There must not be an extractor fan fitted in the same room as the stove as this can cause the stove to emit smoke and fumes into the room.

### LOCATION

There are several conditions to be considered in selecting a location for your Tara Stove.

- a. Position in the area to be heated, central locations are usually best.
- b. Allowances for proper clearances to combustibles.

### INSTALLATION CLEARANCES

#### Clearance to combustible materials (Non Boiler Model)

<b>From the front</b>	-	<b>900mm</b>
<b>From the sides</b>	-	<b>460mm</b>
<b>From the back</b>	-	<b>700mm</b>
<b>From the flue pipe</b>	-	<b>600mm</b>

It is recommended that this appliance is sited next to and on a non-combustible surface. A minimum all round clearance of 100 mm will allow air circulation and not impede the performance of the stove.

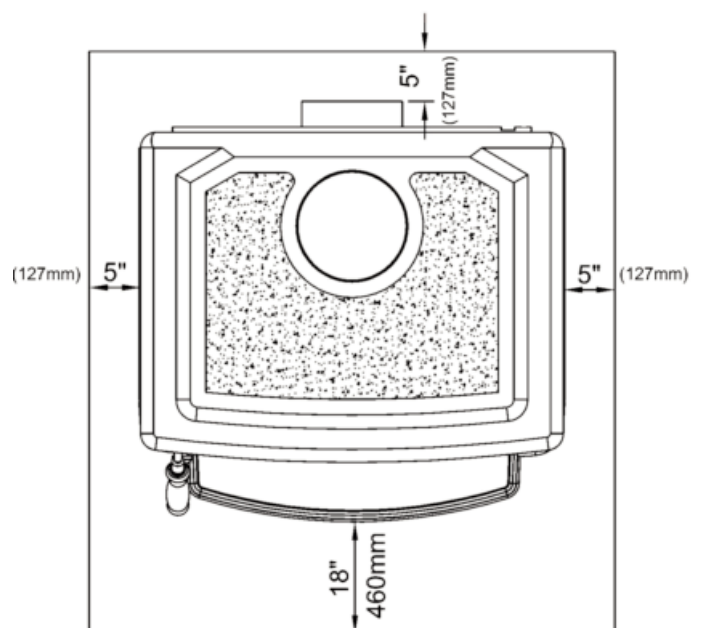
The connector may pass through walls or partitions constructed of combustible materials provided the connector is either listed for wall pass-through or is routed through a device listed for a wall pass-through and is installed in accordance with the conditions of the listing. Any unexposed metal that is used as part of a wall pass-through system is exposed to flue gases shall be constructed of stainless steel or other equivalent material that will resist corrosion, softening, or cracking from flue gas at temperatures up to 982°C.

### FLOOR PROTECTION

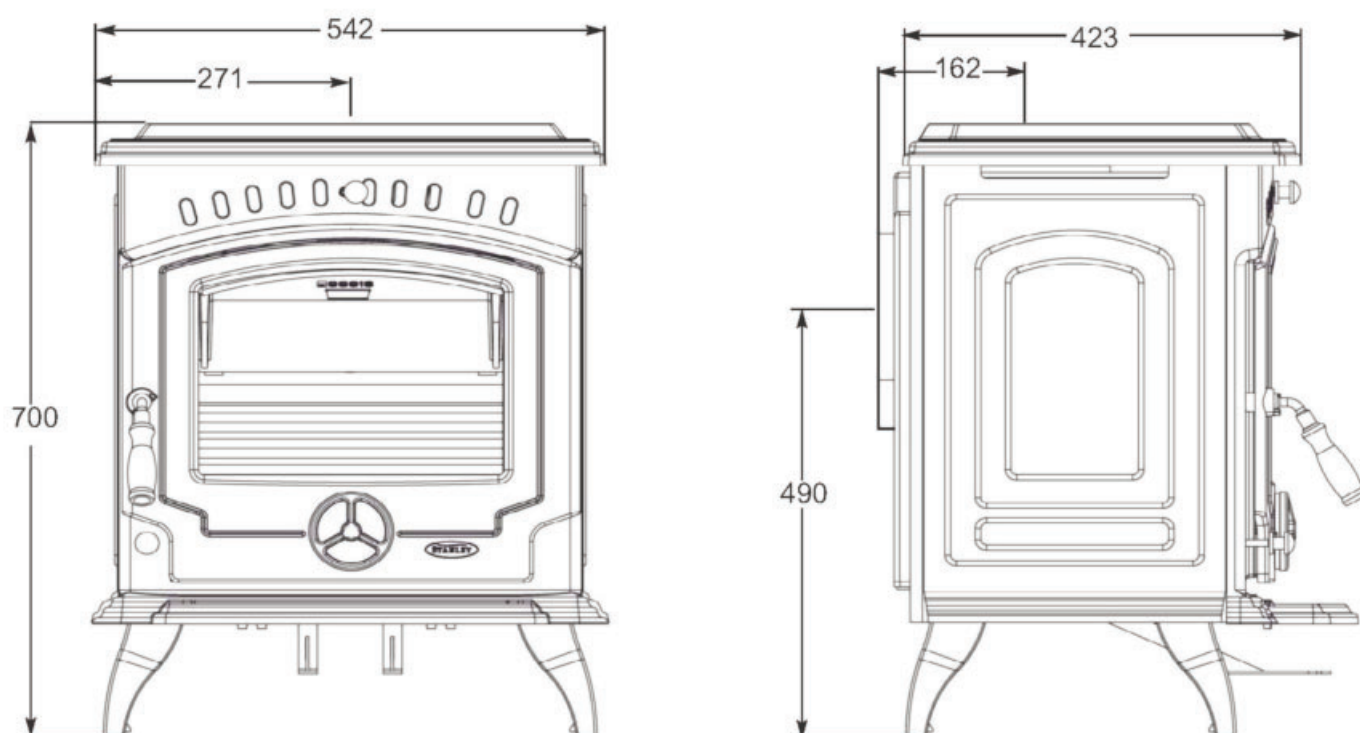
It is recommended that this appliance is installed on a solid, level, non-combustible hearth conforming to current Building Regulations.

The hearth should extend at least 127mm from the sides and rear of the stove and 460mm from the front. See Fig. 6.

Fig.6



## NON BOILER STOVE SPECIFICATION



**Note:** Dimensions stated are in millimetres and may be subject to a slight +/- variation.

<b>TECHNICAL DATA</b>			
<b>MODEL</b>		<b>NON BOILER</b>	
<b>Parameter</b>		<b>Wood</b>	<b>Mineral smokeless fuel</b>
Max Heat Output	(kW)	8	8
Nominal Heat Output	(kW)	6.7	7.1
Output to Room	(kW)	6.7	7.1
Typical Refuel Interval To Achieve Nominal Outputs(h)		0.8	1
Mean Flue Gas Temp.	(°C)	314	304
Efficiency	%	80.5	78.3
Flue gas mass flow	( g/s)	4.5	5.6
Gross Weight	(kg)	135	
Flue Outlet Diameter	(mm)	150	
Wood Log Size	(mm)	300	N/A
Mean CO emission (at 13 % O2) %		0.10	0.11
Mean CnHm (at 13 % O2)	Nmg/m <sup>3</sup>	43	58
Mean NOx (at 13 % O2)	Nmg/m <sup>3</sup>	82	97
DIN Plus dust (at 13 % O2)	Nmg/m <sup>3</sup>	17	32

Model	Energy Efficiency Class	Heat Output to Room	Heat Output to Water	Energy Efficiency Index	Preferred Fuel	Nominal Heat Output	Net Efficiency
Tara NB	A+	6.7	N/A	107.73	Wood	6.7	80.5

## HANDOVER

On completion of the installation allow a suitable period of time for any fire cement and mortar to dry out, when a small fire may be lit and checked to ensure the smoke and fumes are taken from the stove up the chimney and emitted safely to the atmosphere. Do not run at full output for at least 24 hours.

Ensure that the operating instructions for the stove are left with the customer. Ensure to advise the customer on the correct use of the appliance with the fuels likely to be used on the stove and warn them to use only the recommended fuels for the stove.

Advise the user what to do should smoke or fumes be emitted from the stove. The customer should be warned to use a fireguard to BS 6539 in the presence of children, aged and/or infirm persons.

## OPERATING INSTRUCTIONS

### WARNINGS :-

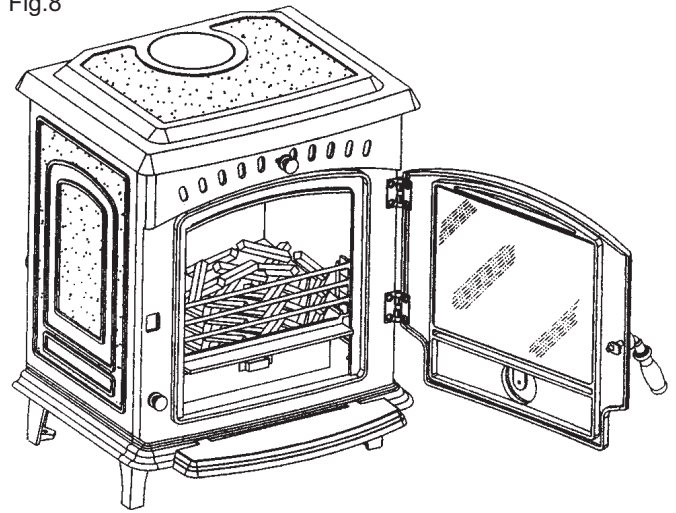
**If there is a possibility that a part of the heating system may be frozen you should not light the stove until you are confident that the system is free of ice, has no leaks and water is able to fully circulate.**

**Parts become very hot while the stove is in use and should not be touched with bare hands. Special operating tool is provided for operation of the hot stove.**

## SUITABLE FUELS

COAL, ANTHRACITE, PEAT, WOOD SYNTHETIC LOGS, OR OTHER FUELS. "Never use gasoline" gasoline type lantern fuel, kerosene, charcoal lighter fluid or similar liquids to start or 'freshen up' a fire in this heater. Keep all such liquid well away from the heater at all times. Operate stove only with fuelling door closed. This heater is hot whilst in operation. Keep children, clothing and furniture a safe distance away.

Fig.8



## LIGHTING

*Before lighting the stove check with the installer that the installation work and commissioning checks described in the installation instructions have been carried out correctly and that the chimney has been swept clean, is sound and free from any obstructions. As part of the stove's handover the installer should have demonstrated how to operate correctly.*

1. Before lighting the stove, ensure that any build up of ashes in the fire box has been removed and that the ashpan has been emptied.
2. Open the firebox and cover the grate with crumpled pieces of paper.
3. Lay pieces of kindling on top of the paper towards the back of the fire box.
4. Open the primary and secondary air using the levers under the ash shelf, pull them out fully to open fully.( do not open the spin valve this should remain locked closed on this model)
5. Ignite the paper and close the firedoor.
6. When the kindling is well alight, open the fire door and add more kindling of a larger size to sustain the fire. Close the firedoor.
7. **Never use inflammable liquid i.e. gasoline, petrol paraffin etc. to start or "freshen up" a fire in this heater.**
8. When a hot bed of fuel is established, add the normal fuel and adjust the air control to the required setting.
9. To shut the fire down, do not add fuel, make sure that the firedoor is properly closed and that the primary and secondary air controls are all in the closed position. Cutting off the air supply will reduce the heat output.
10. Following a prolonged shutdown of the appliance perhaps after the summer break, ensure the flueway is free from obstruction prior to re-lighting.

**Re-fuelling** -Open the firedoor and reload, close the firedoor.

## IMPORTANT NOTES

Now that your Stanley Solid Fuel Stove is installed and no doubt you are looking forward to many comforts it will provide, we would like to give you some tips on how to get the best results from your stove.

1. We would like if you could take some time to read the operating instructions/hints, which we are confident, will be of great benefit to you.
2. Do not burn fuel with a high moisture content, such as a damp peat or unseasoned timber. This will only result in a build up of tar in the stove and in the chimney.

<b>FUEL CALORIFIC VALUES - SOLID FUELS</b>		
Anthracite 25-50mm	C.V.: 8.2kW/Kg	14,000 BTUs/lb
House Coal 25-75mm	C.V.: 7.2kW/Kg	12,000 BTUs/lb
Timber - Firebox size	C.V.: 5.0kW/Kg	8,600 BTUs/lb
Peat Briquettes	C.V.: 4.8kW/Kg	8,300 BTUs/lb

3. Clean the flue-ways of the stove every week and ensure that there are no blockages. Check flueways before lighting especially after a shut down period. Please refer to manual for instructions.
4. Before loading fresh fuel into the firebox, riddle fully to remove all ashes this will allow better and cleaner burning. See Re-Fuelling Section.
5. Never allow a build up of ashes in the ash pan, as this will cause the grate to burn out prematurely. Empty the ashpan when re-fuelling.
6. Allow adequate air ventilation to ensure plenty of air for combustion.
7. Do not use as an incinerator burning rubbish/household waste.
8. Do not leave ash-door open for long periods as this will over heat the unit causing unnecessary damage. Close the ash door between removing and replacing the ashpan.
9. Clean the chimney at least twice a year.
10. Burning soft fuels such as timber and peat will stain the glass. Regular cleaning will prevent permanent staining. Clean with soapy water when cool.
11. Keep all combustible materials a safe distance away from unit, please consult manual for clearance to combustible table.
12. For safety reasons never leave children or the elderly unaccompanied while stove is in use. Use a fire guard.
13. Avoid contact with unit when in use as stove reaches very high operating temperatures.
14. This appliance should be regularly maintained by a competent service engineer.
15. Do not use aerosol sprays near the stove when it is lighting.

Use only replacement parts recommended by Stanley. Making unauthorised modifications, or using unauthorised parts will invalidate your guarantee and may cause damage or injury.

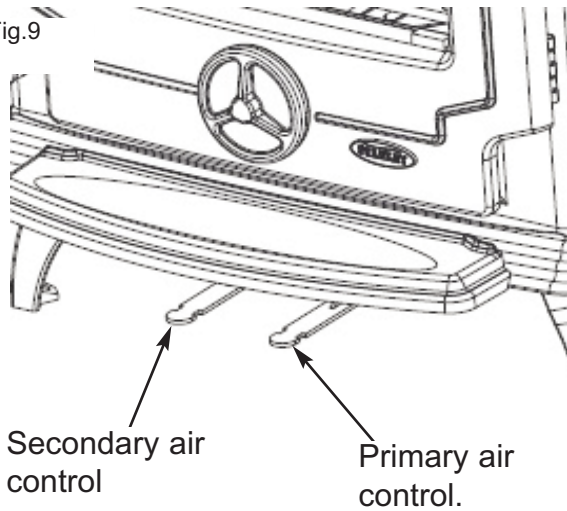
**AN ODOUR WILL EMIT FROM STOVE ON FIRST FIRING, WHEN FIRE REACHES MAXIMUM TEMPERATURE OVER A NUMBER OF HOURS THE ODOUR WILL SUBSIDE. IT IS BEST ADVISED TO OPEN WINDOWS DURING THIS PERIOD.**

**THE ODOUR IS UNPLEASANT BUT NOT TOXIC. YOU MAY WISH TO VACATE THE ROOM WHILE THE PAINT CURES.**

## AIR CONTROL SETTINGS

Fuel	Ignition		Controlled Burn	
	Primary	Secondary	Primary	Secondary
Anthracite	Fully Open	Fully Closed	0-80% Open	Fully Closed
Coal	Fully Open	Fully Open	0-80% Open	0-50% Open
Wood/ Turf	Fully Open	Fully Open	0-10% Open	0-80% Open

Fig.9



### AIR CONTROLS

The stove has two air controls, the controls operate by pushing in to close and pull out to open, the secondary air control on the left hand side controls air entering the stove via the air wash over the glass and the air holes at the rear of the firebox. The primary air control on the right hand side controls the air entering the stove under the grate. When lighting the stove both air controls can be pulled out fully to allow the maximum air supply to the stove, when the fire becomes established the air controls should be adjusted depending on the fuel used to give a controlled burn. For setting of air controls during when the fire is established view the above table of air control settings.

### RECOMMENDED FUELS

**All fuels should be stored under cover and kept as dry as possible prior to use.**

This appliance has been tested using seasoned wood logs and manufactured briquetted smokeless fuel (Ancit) for closed appliances, sized between 20g and 140g. Other fuels are commercially available and may give similar results. Wood logs up to 406mm long are suitable. All fuels should be stored under cover and kept as dry as possible prior to use. Do not use fuels with a Petro-coke ingredient as this may cause the grate to overheat, causing damage. Reduced outputs will result when fuels of lower calorific values are used. Never use gasoline or gasoline type lantern fuel, kerosene, charcoal lighter fluid or similar liquids to start or freshen up a fire in this heater. Keep all such liquid well away from the heater at all times. Operate the stove only with the fuelling door closed except for re-fuelling.

This stove has obtained HETAS Ltd approval for burning natural and manufactured smokeless fuels and wood logs only as detailed in recommended fuels below. HETAS Approval does not cover the use of other fuels either alone or mixed with the recommended fuels listed, nor does it cover instructions for the use of other fuels.

## WARNING:

Properly installed, operated and maintained this stove will not emit fumes into the dwelling. Occasional fumes from de-ashing and re-fuelling may occur. However, persistent fume emission is potentially dangerous and must not be tolerated. If fume emission does persist, then the following immediate action should be taken -

- (a) Open doors and windows to ventilate room.
- (b) Let the fire out or eject and safely dispose of fuel from the stove.
- (c) Check for flue or chimney blockage and clean if required.
- (d) Do not attempt to relight the fire until the cause of the fume emission has been identified and corrected. If necessary seek expert advice.

The most common cause of fume emission is flue-way or chimney blockage. For your own safety these must be kept clean at all times.

## OVERNIGHT BURNING

To achieve an overnight or a low burn rate, close the Secondary air control fully, close the primary air control or leave it marginally open depending on draught conditions. If the fuel load is too small or the draught too strong primary air control may need to be closed further to sustain the low burn rate.

**REMEMBER:** Coal gases are toxic.

**WARNING:** Failure to comply with the Installation and Operating Instructions outlined above may result in carbon monoxide entering the house rather than being drawn up the chimney.

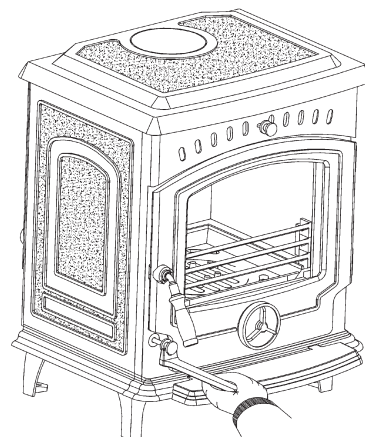
## RE-FUELLING

Riddle the fire by connecting the grate operating tool onto the rocker connection located at the bottom front of the stove, then gently pull and push the rocker arm until all dead ash has fallen through into the ashpan. Before opening the door, open the primary air control by pulling out the control, as this will help to eliminate any smoke or fly ash resident in the combustion chamber. Add fuel to the fire, close fire door and re-set the air control to required setting.

## DE-ASHING

Never allow ashpan to over fill as it will cause damage to fire fence. When ash build-up becomes excessive in the fire chamber riddle the fire until all dead ash has fallen through to the ashpan. Open the front door and remove ashpan using the operating tool. Close the front door. When the ash is disposed of, replace the empty ashpan.

Fig.10



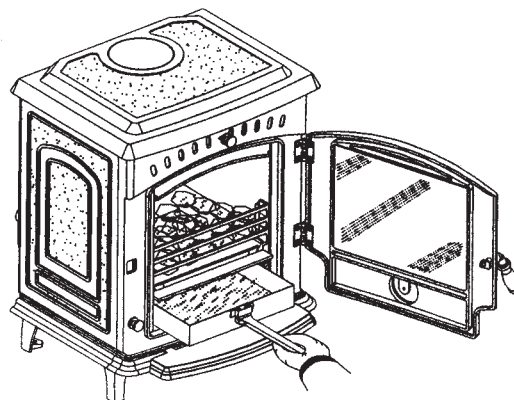
## DISPOSAL OF ASHES

The ashpan must be emptied every day.

If ashes are allowed to build up to grate level the fire-box insert could be damaged by overheating. We recommend that you remove ashes after you have riddled the fire.

Ashes should be placed in a metal or other non-combustible container with a tight fitting lid. The closed container of ashes should be placed on a non-combustible material, pending final disposal. If ashes are buried in soil, or otherwise dumped they should be retained in the closed container until they are thoroughly cooled.

Fig.11



## CHIMNEY CLEANING

The chimney and any connecting flue-pipe must be swept least once a year for smokeless fuels and a minimum of twice a year for bituminous coal.

Always clean the appliance flue-ways, flue-pipe and chimney prior to lighting up after a prolonged shut-down period.

Where it is not possible to sweep the chimney through the appliance provide access in the form of a cleaning door on the flue pipe.

Where the chimney is believed to have served an open fire installation it is recommended that the chimney be swept a second time within a month of regular use after installation. It is important to clean the appliance flue-ways, flue-pipe and chimney prior to lighting up after a prolonged shut-down period.

The chimney must be swept and examined for soundness and suitability before the appliance is installed. Remedial action should be taken if required, seeking expert advice if necessary. Where the chimney is believed to have previously served an open fire installation it is possible that the higher flue gas temperature from a closed appliance may loosen deposits that were previously firmly adhered, with the consequent risk of flue blockage. It is therefore recommended that the chimney be swept a second time within a month of regular use after installation.

## TO CLEAN CHIMNEY OUTLET

Remove the fire bricks on each side. Remove the baffle by first lifting it up and pulling it forward, then rotate it down around the baffle supports. Replace the baffle, the firebricks before the fire is lit. Ensure the baffle is located correctly resting on top of the secondary air supply steelwork and resting in front of the tabs protruding from the top of the secondary air steelwork.

## TO REPLACE FIRE GRATE

Remove the 3 fire fence at the front of the stove, unscrew the pull rod knob from the pull rod bar located at the front of the stove in the bottom left hand corner. Pull the circular firegrate in the centre of the stove upwards to the right as far as is possible. Then twist the circular firegrate so that the front edge is lifted up and the back edge is moved down through the hole in the firebed insert. Push the circular firegrate down through the firebed insert.

The circular firegrate can then be removed by pushing it to the rear of the stove to relieve the pull rod bar and then putting it out under the firebox insert. The firebox insert can be removed by fitting the firebox insert up at the front, then rotate the firebox insert until it can slide diagonally forward through the opening in the front panel.

Replace any damaged parts and replace firebox insert and grate ensuing that the pull rod is inserted back through the opening on the left hand side of the boiler and also through the hole on the front panel.

Replace the pull rod knob and the 3 fire fence before relighting.

## CO ALARM

The fitting of CO Alarms in the same room as the appliance is a compulsory requirement under current Building Regulations. For ROI an additional CO Alarm must be fitted either inside each bedroom or within 5 metres of the bedroom door, refer to Building Regulations Part J. Further guidance on the installation of a carbon monoxide alarm is available in BS EN 50292:2002 and from the alarm manufacturers instructions.

**Provision of an alarm must not be considered a substitute for either installing the appliance correctly or ensuring regular servicing and maintenance of the appliance and chimney system.**

### **WARNING:-**

**If the CO Alarm sounds unexpectedly:-**

- 1. Open Doors and windows to ventilate the room and then leave the premises.**
- 2. Let the fire go out.**



## FIRE SAFETY

To provide reasonable fire safety, the following should be given serious consideration.

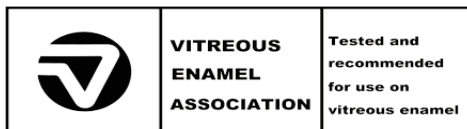
1. Do not over fire the stove.
2. Overfiring will also damage painted or enamel finish.
3. Install a smoke detector in the room.
4. A conveniently located class "A" fire extinguisher to contend with small fires resulting from burning embers.
5. A practical evacuation plan.
6. A plan to deal with a chimney fire as follows:-
  - (a) Notify the fire department.
  - (b) Prepare occupants for immediate evacuation.
  - (c) Close all openings into the stove.
  - (d) While awaiting the fire department watch for ignition to adjacent combustibles from overheated stove pipe or from embers or sparks from the chimney.

## VITREOUS ENAMEL CLEANING

General cleaning must be carried out when the stove is thoroughly cool.

If this stove is finished in a high gloss vitreous enamel, to keep the enamel in the best condition observe the following tips:

1. Wipe over daily with a soapy damp cloth, followed by a polish with a clean dry duster.
2. For stubborn deposits a soap impregnated pad can be carefully used on the vitreous enamel.
3. Only products recommended by the Vitreous Enamel Association, these products carry the Vitramel label.

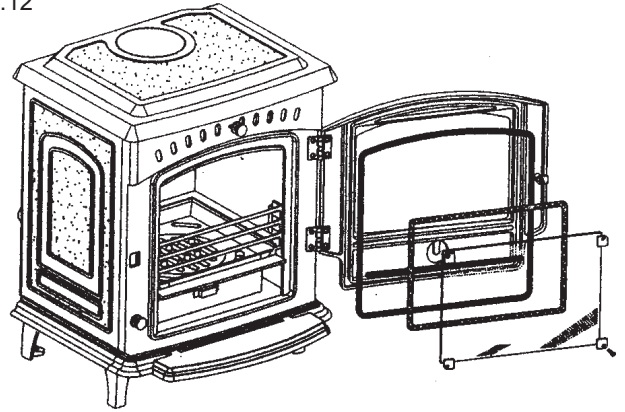


4. **DO NOT USE ABRASIVE PADS OR OVEN CLEANSERS CONTAINING CITRIC ACID ON ENAMELLED SURFACES. ENSURE THAT THE CLEANSER MANUFACTURERS INSTRUCTIONS ARE ADHERED TO.**

## GLASS CLEANING

The glass will self clean when there is sufficient heat generated by the burning fuel. If a build-up of creosote occurs on the glass it may be due to draft conditions, poor quality fuel or very low burning for a long time. It is best to clean the glass when it is thoroughly cooled.

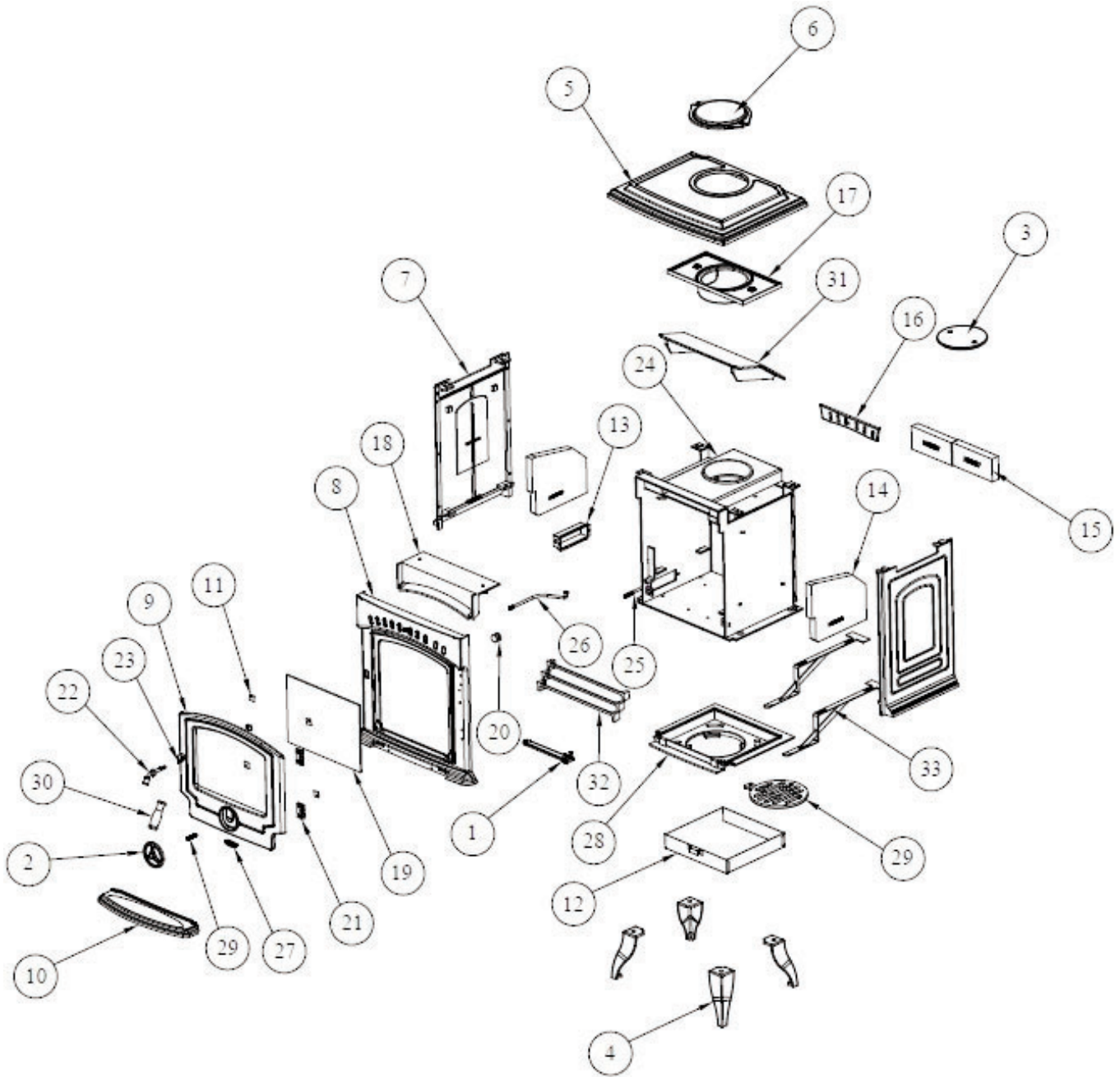
Fig.12



## GLASS REPLACEMENT

- (a) Open the front door fully.
- (b) Remove the four corner screws and clips and carefully remove the broken glass.
- (c) Clean the glass recess in the door.
- (d) Attach adhesive thermal tape to the perimeter of the replacement glass.
- (e) Place the thermal tape side of the glass into the door recess and replace the four corner clips.
- (f) Tighten screws.
- (g) Replace glass only with ceramic glass 5mm thick.

## TARA NB EXPLODED VIEW



1	ASHPAN LIFTING TOOL	B00009DXX	17	PROTECTION PLATE	Q00250AXX
2	SPIN VALVE	B00012AXX	18	AIR WASH PLATE	Q00564AXX
3	FLUE BLANKING PLATE	B00064AXX	19	DOOR GLASS	T00009AXX
4	LEG [LONG]	B00077BXX	20	KNOB AIR WASH SHUTTER	U00077AXX
5	TARA HOB	B00209AXX	21	DOOR HINGE BLACK	U00153AXX
6	HOB BLANKING PLATE	B00210AXX	22	AXLE DOOR HANDLE	V00022BXX
7	PANELS SIDE TARA	B00211BXX	23	LATCH DOOR	V00023AXX
8	PANEL FRONT TARA	B00257JXX	24	TARA SF ECO DRY SHELL	F01357AXX
9	FRONT DOOR	B00258CXX	26	PULL ROD	V00393AXX
10	ASH TRAY	B00259AXX	27	STANLEY BADGE	V00730BXX
11	DOOR GLASS CLIP	F00003AXX	28	FIRE BOX INSERT	Z00016BXX
12	ASH PAN	F00221AXX	29	GRATE	Z00025BXX
13	PULL ROD BOX	F00223BXX	30	DOOR HANDLE LONG	U00009AXX
14	SIDE BRICK	H00070BXX	31	FLUE CLEANING PLATE	Z00019BXX
15	BACK BRICK	H00197AXX	32	TARA FIRE FENCE (1)	Z00020AXX
16	SECONDARY AIR WASH SHUTTER	Q00247AXX	33	AIR CONTROL LEVER	F01358AXX

## TROUBLE SHOOTING

<b>PROBLEM</b>	<b>POSSIBLE CAUSE</b>	<b>ACTION</b>
<i>Fire difficult to start</i>	<p><b>Unseasoned wood, too damp or poor quality.</b></p> <p><b>Logs too big</b></p>	<p>Use recommended fuel only.</p> <p>To light fire use small, very dry twigs. To maintain fire use split logs.</p>
<i>Fire Goes Out</i>	<p><b>Air Starvation</b></p> <p><b>Insufficient Draught</b></p>	<p>Open primary air control and secondary air control.</p> <p>Check that the flue is not obstructed, sweep if necessary - (seek advice from a chimney specialist).</p>
<i>Fire Burns Too Quickly</i>	<p><b>Too much draught</b></p> <p><b>Poor Quality Wood/Fuel</b></p>	<p>Ensure that the primary air control is closed and partially close the secondary air control.</p> <p>Do not continuously burn small wood, sticks, bundles , carpentry off-cuts (plywood / pallets etc)</p>
<i>Smokes When Lighting Up</i>	<b>Flue duct is cold</b>	Burn paper and kindling to increase heat.
<i>Smokes While Burning</i>	<p><b>Draught is insufficient</b></p> <p><b>Down Draught</b></p> <p><b>Room is in decompression</b></p>	<p>Consult a chimney specialist. Check that the flue is not obstructed, sweep if necessary.</p> <p>Install an anti-down draught cowl. Consult your dealer.</p> <p>In houses equipped with Mechanical Ventilation, an outside air intake must be installed for the chimney.</p>
<i>Low Heat Output</i>	<b>Incorrect Fuels</b>	Use the recommended Fuel
<i>Fire Shuts Down After a Period of Time</i>	<b>Insufficient Water Circulation Through The Boiler</b>	Check Plumbing
<i>Excessive Condensation On The Boiler</i>	<p><b>Cold Water Being Circulated</b></p> <p><b>Fuel used Has Excessive Moisture Content</b></p>	<p>Check That Pipe Thermostat Is Fitted And Set Correctly</p> <p>Season Fuel to Achieve Lower Moisture Content</p>

---

**Manufactured by**  
**Waterford Stanley Ltd.,**  
Unit 401-403, IDA Industrial Estate, Cork Road,  
Waterford, Ireland.  
Tel: (051) 302300 Fax (051) 302315

